

MODEL "GG" GAS-FIRED TUBULAR UNIT HEATERS REPLACEMENT PARTS CATALOG

INDEX

WARRANTY INFORMATION – RETURN GOODS	2
GG-30/120 REPLACEMENT PARTS	3, 4, 5
OPTIONAL PARTS	6
CONVERSION KITS	7
TERMS	8

IMPORTANT
WHEN ORDERING PARTS, PLEASE
SPECIFY UNIT MODEL NO. AND SERIAL NO.



260 NORTH ELM ST. WESTFIELD, MA 01085
(413) 564-5540 • FAX: (413) 562-5311
www.sterlinghvac.com



IMPORTANT WARRANTY INFORMATION

If you are ordering a replacement part for a unit which you believe to be under warranty, the process is as follows:

- Provide Sterling with a description of the part or assembly needed and the model and serial number of the unit which experienced failure. If there is a question on the warranty, we can answer it at this point.
- We will enter your order and issue you a R.G.A. (Return Goods Authorization), if applicable, with instructions on how and where to send the defective parts.
- Your invoice will indicate “no charge” pending the return of the applicable defective parts. The invoice may list the R.G.A number and state: “a R.G.A has been issued. Re invoicing will occur if no receipt in 30 days.” However, some parts are to be field scrapped, which the invoice will state accordingly. If parts are received by us within the 30 days, and confirmed as “defective in-warranty”, the transaction will be closed.

If we do not receive the parts within 30 days or our inspection reveals a non-warranty condition, then a subsequent invoice will be generated indicating the appropriate cost and we will no longer accept returns on that R.G.A.

In order to insure the orderly processing of your warranty claim it is **MANDATORY** that certain paper work accompany any and all goods returned to Sterling. It is also mandatory that goods be sent to the proper location.

In order to assure proper handling of these goods we insist that under all circumstances we must formally authorize the return of material to our various facilities. Any material returned without authorization will not be accepted.

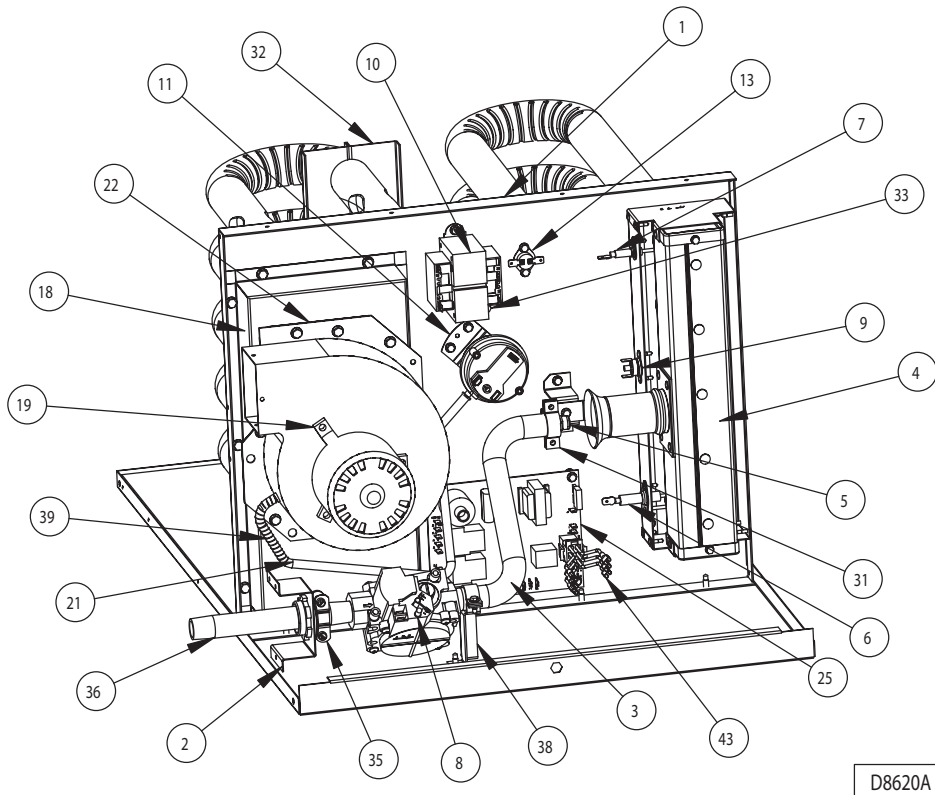
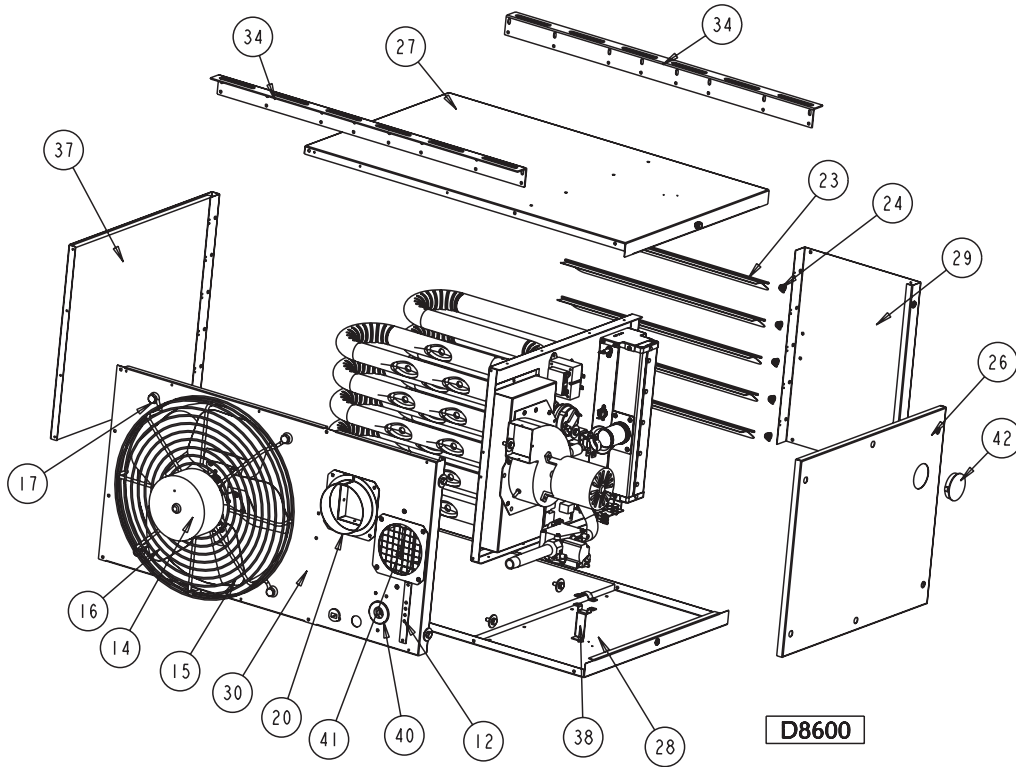
In order to insure that your properly authorized returns are accepted at our plant, we ask that you clearly mark any and all shipping papers with an R.G.A. number; we will not accept shipments that do not clearly show R.G.A. number on the outside of the box or crate!

**All returns to be shipped Freight Prepaid. Collect Shipments
will not be accepted.**

CONSULT OUR CUSTOMER SERVICE DEPT. FOR ANY REPLACEMENT
PARTS NOT LISTED IN THIS PUBLICATION. LIMITED AVAILABILITY ON
CERTAIN OBSOLETE EQUIPMENT.

TEL. 413-564-5540 FAX# 413-562-5311

MODEL "GG" 30-120 MBH REPLACEMENT PARTS



MODEL "GG" 30-120 MBH REPLACEMENT PARTS

ITEM NO.	"GG" MODEL SIZE (MBH)		30	45
	ITEM DESCRIPTION		PART NO.	
	NO. OF TUBES PER MODEL		2	3
1	VESTIBULE PANEL/TUBE ASS'Y (HEAT EXCHANGER)	ALUMINIZED	501R08350-001	501R08351-001
		409 STAINLESS STEEL	501R08350-003	501R08351-003
2	BRACKET/GAS TRAIN (REAR PANEL MOUNTED)		252R08463	
3	MANIFOLD		J37R08320-030	
4	BURNER ASSEMBLY (FLAME SENSOR, ROLLOUT SWITCH & IGNITOR SOLD SEPARATELY)		502R08493-030	502R08493-045
5	BURNER ORIFICE [orifice size] QTY. REQUIRED FOR ALL MODEL SIZES = 1	NATURAL GAS	J36R04694-018 [#38]	J36R04694-023 [#31]
		PROPANE (LP) GAS	512R08532-011 [#52]	512R08532-012 [#48]
6	SPARK IGNITOR		J38R06891-003	
7	FLAME SENSOR		J38R06890-003	
8	GAS VALVE, SINGLE STAGE	NATURAL GAS	J28R06892-001	
		PROPANE (LP) GAS	J28R06892-002	
9	MANUAL ROLLOUT SAFETY SWITCH		J11R04849-003	
10	TRANSFORMER, 50 VA, 115/24		J14R03245-012	
11	AIR PRESSURE SWITCH - STD ALT (0-4,999 FT)		J11R06779-001	
	AIR PRESSURE SWITCH - HIGH ALT (5,000 FT +)		J11R06780-001	
12	TERMINAL BLOCK PLATE		J09R04609	
13	HIGH LIMIT SWITCH		J11R08365-002	
14	FAN MOTOR (ODP)		J31R04766	
15	OSHA FAN GUARD		J32R04884	
16	FAN BLADE		J34R06999-016	J34R06999-017
17	FAN/GUARD/MOTOR MOUNT HARDWARE KIT		261R04963-001	
18	*FLUE COLLECTOR (INCLUDES GASKET)	ALUMINIZED	507R08312-130	507R08312-145
		409 STAINLESS STEEL	507R08312-330	507R08312-345
19	POWER VENTER (DRAFTER) ASSEMBLY (INCLUDES GASKET)		J35R04700	
20	FLUE COLLAR (INCLUDES GASKET AND HARDWARE)		257R08337	
21	VINYL TUBING (PRESSURE SWITCH) - 19 INCHES LONG		H07R01471-019	
22	POWER VENTER MOUNTING PLATE (INCLUDES GASKET)		NOT APPLICABLE	
23	LOUVER (QTY. REQ'D PER MODEL)		257R04587-113 (3)	
24	LOUVER SPRING (QTY. REQ'D PER MODEL)		J26R01960 (3)	
25	CONTROL BOARD		J28R06881	
26	ACCESS PANEL (INCLUDES HARDWARE)		251R08308-030	
27	TOP JACKET PANEL W/INSULATION		251R08303	
28	BOTTOM JACKET PANEL W/INSULATION		251R08303	
29	FRONT JACKET PANEL		251R08306-030	
30	REAR JACKET PANEL		251R08318-030	
31	BRACKET CAP, MANIFOLD		252R08466	
32	TUBE SUPPORT BRACKET KIT		252R06882	252R06883
33	GREEN GROUND SCREW		J21R05120-001	
34	HANGER BRACKET		252R08347	
35	MANIFOLD CLAMP		J09R08500	
36	PIPE NIPPLE (6" LENGTH)		J40R00601-010	
37	LEFT SIDE PANEL W/ INSULATION		251R08345-030	
38	MANIFOLD SUPPORT BRACKET KIT		252R08644	
39	SPRING (FOR VINYL TUBING)		J26R06480	
40	GROMMET		J07R02872-001	
41	INLET AIR SCREEN ASSEMBLY (INCLUDES HARDWARE)		507R08595	
42	BURNER BOX VIEW PORT		J07R08348-001	
43	MOLEX CONNECTOR ASSEMBLY		J11R06887-001	
N/S	IGNITION CABLE (ORANGE) - 14 INCHES LONG		J28R06971-001	
N/S	FLAME SENSOR WIRE (WHITE) - 21 INCHES LONG		260R08248-001	

Notes:

* When replacing a flue collector, make sure the flue collector box is sealed completely with factory supplied gasket.

N/S - Part not shown.

MODEL "GG" 30-120 MBH REPLACEMENT PARTS

60	75	90	105	120	ITEM NO.
PART NO.					
4	5	6	7	8	
501R08352-001	501R08353-001	501R08354-001	501R08355-001	501R08356-001	1
501R08352-003	501R08353-003	501R08354-003	501R08355-003	501R08356-003	
252R08463					2
J37R08320-030		J37R08320-190			3
502R08493-060	502R08493-075	502R08493-090	502R08493-105	502R08493-120	4
J36R04694-005 [#27]	J36R04694-022 [#20]	J36R04694-016 [#16]	J36R04694-024 [#11]	J36R04694-039 [#6]	5
512R08532-008 [#43]	512R08532-023 [#40]	512R08532-009 [#36]	512R08532-021 [#32]	512R08532-022 [3.1MM]	
J38R06891-003					6
J38R06890-003					7
J28R06892-001					8
J28R06892-002					
J11R04849-003					9
J14R03245-012					10
J11R06780-008		J11R06780-004	J11R06779-002		11
J11R06780-009		J11R06780-006	J11R06780-002		
J09R04609					12
J11R08365-001					13
J31R04091		J31R04092			14
J32R08327-002		M32R06163			15
J34R06999-006	J34R06999-007	J34R06999-114	J34R06999-115	J34R06999-103	16
261R04963-002					17
507R08312-160	507R08312-175	507R08311-190	507R08311-105	SEE PAGE 7	18
507R08312-360	507R08312-375	507R08311-390	507R08311-305	SEE PAGE 7	
J35R08510		J35R04581			19
257R08340					20
H07R01471-019					21
NOT APPLICABLE		252R08315			22
257R04587-113 (5)		257R04587-113 (7)			23
J26R01960 (5)		J26R01960 (7)			24
J28R06881					25
251R08308-060		251R08308-090			26
251R08303					27
251R08303					28
251R08306-060		251R08306-090			29
251R08318-060		251R08318-090		SEE PAGE 7	30
252R08466					31
252R06884	252R06885	252R08364-090	252R08364-105	252R08364-120	32
J21R05120-001					33
252R08347					34
J09R08500					35
J40R00601-010					36
251R08345-060		251R08345-090			37
252R08644					38
J26R06480					39
J07R02872-001					40
507R08595		507R08596			41
J07R08348-001					42
J11R06887-001					43
J28R06971-001					N/S
260R08248-001					N/S

MODEL "GG" REPLACEMENT PARTS

FIELD INSTALLED AND OPTION ITEMS	
DESCRIPTION	PART NO.
NATURAL GAS VALVE, TWO STAGE (UNIT SIZES 60-120)	J28R06894-001
PROPANE (LP) GAS VALVE, TWO STAGE (UNIT SIZES 60-120)	J28R06894-002
TOTALLY ENCLOSED FAN MOTOR (UNIT SIZES 60-75)	J31R01872
TOTALLY ENCLOSED FAN MOTOR (UNIT SIZES 90-120)	J31R01694
4" VENT CAP [VC-4]	J37R08571-001
4" TO 5" VENT ADAPTER (FOR 5" FLUE)	J37R02185
TUBE OF HIGH TEMP SEALANT (2.8 oz.)	H03R03612-002
PRESSURE REGULATOR (0.5-10 PSI) [A7-1/2-1]	J28R05121-312
PRESSURE REGULATOR (10-20 PSI) [A7-3/2-1]	J28R05121-375
PRESSURE REGULATOR (20-35 PSI) [A7-5/16-1]	J28R05121-500
T87K 1-STAGE MERCURY FREE THERMOSTAT (INCLUDES SUBBASE) [G1]	ASRG1
T834N 1-STAGE W/FAN SWITCH (STERLING LOGO) MERCURY-FREE THERMOSTAT [G3]	ASRG3
TH5220D 2-STAGE MERCURY-FREE THERMOSTAT (INCLUDES SUBBASE) [G5]	ASRG5
T822K 1-STAGE MERCURY-FREE THERMOSTAT [G9]	J13R08431
TG511A UNIVERSAL THERMOSTAT GUARD [G6]	ASRG6
24V SPST RELAY [P5]	J10R00818-003
QUICK SLING MOUNTING BRACKET [T1]	ASRT1

COMBUSTION AIR INLET KITS		
DESCRIPTION	4" (INCH) PART NO.	5" (INCH) PART NO.
COMPLETE KIT	ASRX7-4	ASRX7-5
PARTS INCLUDED IN KIT (SOLD SEPARATELY)		
VENT CAP (FLUE VENT TERMINAL)	J37R08571-001	J37R08571-002
COMBUSTION AIR INLET BOX ASSEMBLY	507R06601-DBL	507R08560-DBL
AIR INLET SCREEN	J37R06665-DBL	J37R08572-DBL
DEFLECTOR DISK	507R06693-DBL	507R08569-DBL
INLET AIR COLLAR	257R08331	257R08525
INLET AIR COLLAR GASKET	262R08332	J37R08335
TUBE OF HIGH TEMP SEALANT (2.8 oz.)	H03R03612-002	H03R03612-002
ACCESS PANEL GASKET	262R08614-004	262R08614-005
GASKET, O-RING	H03R09471-004	H03R09471-005
FLUE VENT ADAPTOR - 5" TO 4"	N/A	J37R02185

GAS CONVERSION KITS "GG" SERIES UNITS

CONVERTING FROM NATURAL GAS (NG) TO PROPANE (LP) GAS		CONVERTING FROM PROPANE (LP) GAS TO NATURAL GAS (NG)	
MODEL NO.	CONVERSION KIT PART NO.	MODEL NO.	CONVERSION KIT PART NO.
GG-030	CKNTPDS030-52	GG-030	CKPTNDS030-38
GG-045	CKNTPDS045-48	GG-045	CKPTNDS045-31
GG-060	CKNTPDS060-43	GG-060	CKPTNDS060-27
GG-075	CKNTPDS075-40	GG-075	CKPTNDS075-20
GG-090	CKNTPDS090-36	GG-090	CKPTNDS090-16
GG-105	CKNTPDS105-32	GG-105	CKPTNDS105-11
GG-120	CKNTPDS1203.1	GG-120	CKPTNDS120-6

GG120 FLUE COLLECTOR AND REAR JACKET PANEL REPLACEMENT PARTS			
DESCRIPTION		GG120 MANUFACTURED PRIOR TO AUGUST 5, 2014	GG120 MANUFACTURED ON OR AFTER AUGUST 5, 2014
FLUE COLLECTOR	ALUMINIZED STEEL	507R08311-120	507R09478-120
	409 STAINLESS STEEL	507R08311-320	507R09478-320
AIR INLET BAFFLE		N/A	507R08587
REAR JACKET PANEL		251R08318-090	251R09480-120

TERMS

ALL SHIPMENTS ARE F.O.B. FARMVILLE, N.C.
FREIGHT ROUTING SHALL BE AT THE DISCRETION OF THE SHIPPER

PRICES: Published trade prices in effect at time of receipt of order at our office are firm provided the complete order is released for fabrication and shipment within 6 months from date of receipt of written order at the factory. Releases for shipment after 6 months will be billed on the basis of trade prices in effect at time of release.

No obligation is assumed by this Corporation to sell, to anyone holding this book, any of the items listed herein at the prices stated.

TERMS: Net 30 Days.

Prepaid freight or cartage charges paid by us and added to invoice are not subject to cash discount.

TAXES: The prices listed herein exclude Federal, State, or Municipal Tax applicable to the transaction. Such taxes, where applicable to the transaction should be paid directly to the governing authority by the Purchaser.

CLAIMS: As all goods are shipped at buyer's risk they should be examined carefully before signing transportation delivery receipts. If transportation company tenders delivery of goods in bad order, buyer should insist on transportation agent making notation of conditions on delivery receipt and request an inspection within 48 hours, thus enabling buyer to secure prompt payment of transportation claims filed by him for value of damaged material.

The responsibility of this company ceases upon delivery of goods in order to transportation companies. All orders are accepted subject to delays on account of government requirements, strikes, accidents or other causes beyond our control.

RETURNED GOODS: Goods must not be returned except by written permission from the factory, and when so returned will be accepted only as stated in the following conditions:

1. Special material is not subject to return.
2. All transportation charges for returned goods must be prepaid by shipper.
3. Standard catalogued products may be returned upon written permission. After inspection at the factory, if they are found to be in good condition they will be accepted for credit, subject to a 25% handling charge.
4. No goods will be accepted for return more than 90 days after shipment.

CHANGES TO A RELEASED ORDER – Work commences on release of an order, therefore, an order that is changed will be subject to additional charges for any extra time and material expended.

LIMITED WARRANTY

The product described in this catalog are warranted by Sterling, A Mestek Co. to be free from defects in material and workmanship for a period of one (1) year from the date of shipment from Sterling's plant.

Sterling will repair or replace, at its option, any components which, upon inspection, it finds to be defective, provided that the unit has been operated within its listed capacity, has been installed in accordance with the furnished instructions, has not been misused or subject to negligence and has received reasonable and necessary maintenance. This warranty does not cover labor costs or other cost incurred in repairing, removing, installing, servicing or handling of parts or complete products.

Sterling will in no event be liable for incidental or consequential damages of any kind whatsoever.

The buyer must request written permission from Sterling to return defective components and then must send them with all transportation charges prepaid to the plant designated in the written permission.

This warranty is extended only to the original purchaser from Sterling.



260 NORTH ELM ST. WESTFIELD, MA 01085
(413) 564-5540 • FAX: (413) 562-5311
www.sterlinghvac.com

